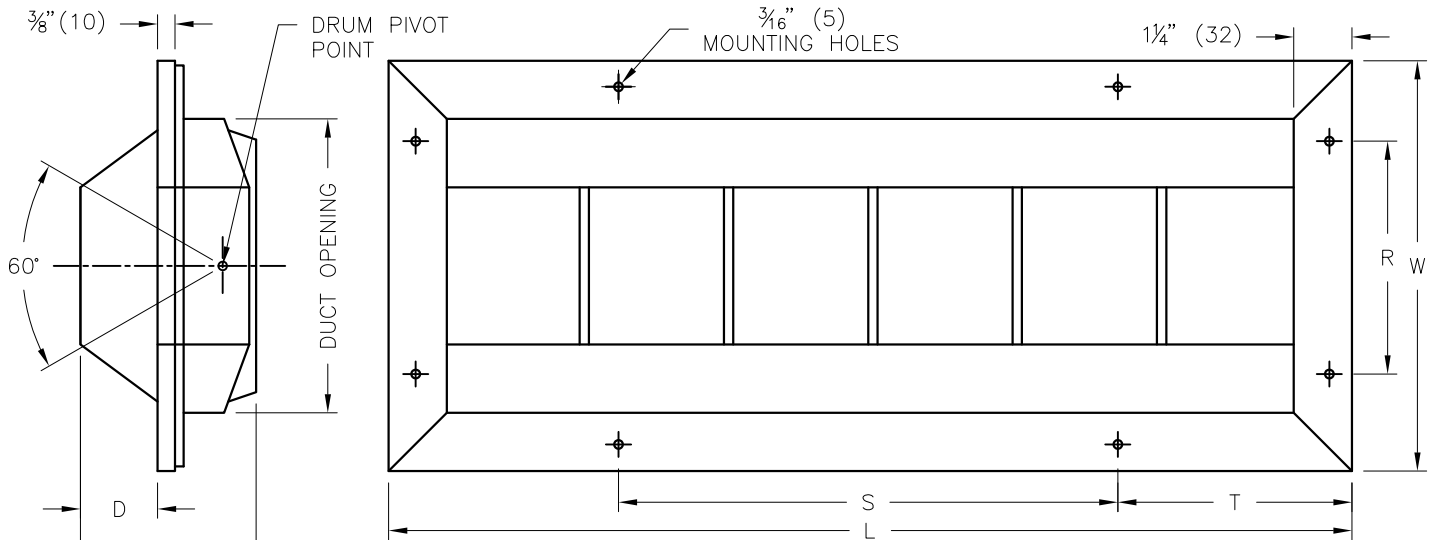


DLSS - STAINLESS STEEL DRUM LOUVER



Model	L	W	H	Required Duct Opening	A	B	D	R	S	T	Blade Qty.	Mtg Holes
6x9	11 ¹ / ₁₆	8 ³ / ₁₆	3 ⁵ / ₈	9 ¹ / ₁₆ x 6 ⁷ / ₁₆	3 ³ / ₈	3	1 ² / ₃₂	0	6	2 ²⁷ / ₃₂	2	8
6x12	14 ¹ / ₁₆			12 ¹ / ₁₆ x 6 ⁷ / ₁₆							3	8
6x18	20 ¹ / ₁₆			18 ¹ / ₁₆ x 6 ⁷ / ₁₆							5	8
6x24	26 ¹ / ₁₆			24 ¹ / ₁₆ x 6 ⁷ / ₁₆							7	10
6x30	32 ¹ / ₁₆			30 ¹ / ₁₆ x 6 ⁷ / ₁₆							9	12
6x36	38 ¹ / ₁₆			36 ¹ / ₁₆ x 6 ⁷ / ₁₆							11	14
6x48	50 ¹ / ₁₆	48 ¹ / ₁₆ x 6 ⁷ / ₁₆	15	18								
6x60	62 ¹ / ₁₆	60 ¹ / ₁₆ x 6 ⁷ / ₁₆	19	22								
10x20	22 ¹ / ₁₆	11 ⁵ / ₁₆	6	20 ¹ / ₁₆ x 10 ³ / ₁₆	5 ⁷ / ₈	5	2 ⁷ / ₁₆	6	5	6 ¹ / ₃₂	3	10
10x25	27 ¹ / ₁₆			25 ¹ / ₁₆ x 10 ³ / ₁₆							4	12
10x30	32 ¹ / ₁₆			30 ¹ / ₁₆ x 10 ³ / ₁₆							5	14
10x35	37 ¹ / ₁₆			35 ¹ / ₁₆ x 10 ³ / ₁₆							6	16
10x40	42 ¹ / ₁₆			40 ¹ / ₁₆ x 10 ³ / ₁₆							7	18
10x50	52 ¹ / ₁₆			50 ¹ / ₁₆ x 10 ³ / ₁₆							9	22
10x60	62 ¹ / ₁₆	60 ¹ / ₁₆ x 10 ³ / ₁₆	11	26								
10x70	72 ¹ / ₁₆	70 ¹ / ₁₆ x 10 ³ / ₁₆	13	30								
12x20	22 ¹ / ₁₆	13 ⁵ / ₁₆	6	20 ¹ / ₁₆ x 12 ³ / ₁₆	6 ⁷ / ₈	5	3	6	5	6 ¹ / ₃₂	3	9
12x30	32 ¹ / ₁₆			30 ¹ / ₁₆ x 12 ³ / ₁₆							5	14
12x40	42 ¹ / ₁₆			40 ¹ / ₁₆ x 12 ³ / ₁₆							7	18
12x50	52 ¹ / ₁₆			50 ¹ / ₁₆ x 12 ³ / ₁₆							9	22
12x60	62 ¹ / ₁₆			60 ¹ / ₁₆ x 12 ³ / ₁₆							11	26
12x70	72 ¹ / ₁₆			70 ¹ / ₁₆ x 12 ³ / ₁₆							13	30
15x15	17 ¹ / ₁₆	17	8 ³ / ₈	15 ¹ / ₁₆ x 15 ³ / ₁₆	9 ¹ / ₁₆	5	3 ³ / ₁₆	9	5	6 ¹ / ₃₂	2	8
15x20	22 ¹ / ₁₆			20 ¹ / ₁₆ x 15 ³ / ₁₆							3	10
15x25	27 ¹ / ₁₆			25 ¹ / ₁₆ x 15 ³ / ₁₆							4	12
15x30	32 ¹ / ₁₆			30 ¹ / ₁₆ x 15 ³ / ₁₆							5	14
15x40	42 ¹ / ₁₆			40 ¹ / ₁₆ x 15 ³ / ₁₆							7	18
15x50	52 ¹ / ₁₆			50 ¹ / ₁₆ x 15 ³ / ₁₆							9	22
15x60	62 ¹ / ₁₆	60 ¹ / ₁₆ x 15 ³ / ₁₆	11	26								
15x70	72 ¹ / ₁₆	70 ¹ / ₁₆ x 15 ³ / ₁₆	13	30								

MATERIAL :

- STAINLESS STEEL CONSTRUCTION



FINISH :

(OPTIONAL FINISHES AVAILABLE)

NOTES:

- DRUM IS ADJUSTABLE THROUGH 60°
- BLADES ARE INDIVIDUALLY ADJUSTABLE.
- LARGE SELECTION OF AVAILABLE SIZES (SEE CHART)
- FACTORY TOLERANCE ± 1/16" (2)

ALL METRIC DIMENSIONS () ARE SOFT CONVERTED. IMPERIAL DIMENSIONS ARE CONVERTED TO METRIC AND ROUNDED TO THE NEAREST MILLIMETER.

PROJECT:		  DLSS STAINLESS STEEL DRUM LOUVER
ENGINEER:		
CUSTOMER:		
SUBMITTAL DATE:	SPEC. SYMBOL:	
		255504
		2010/09/01